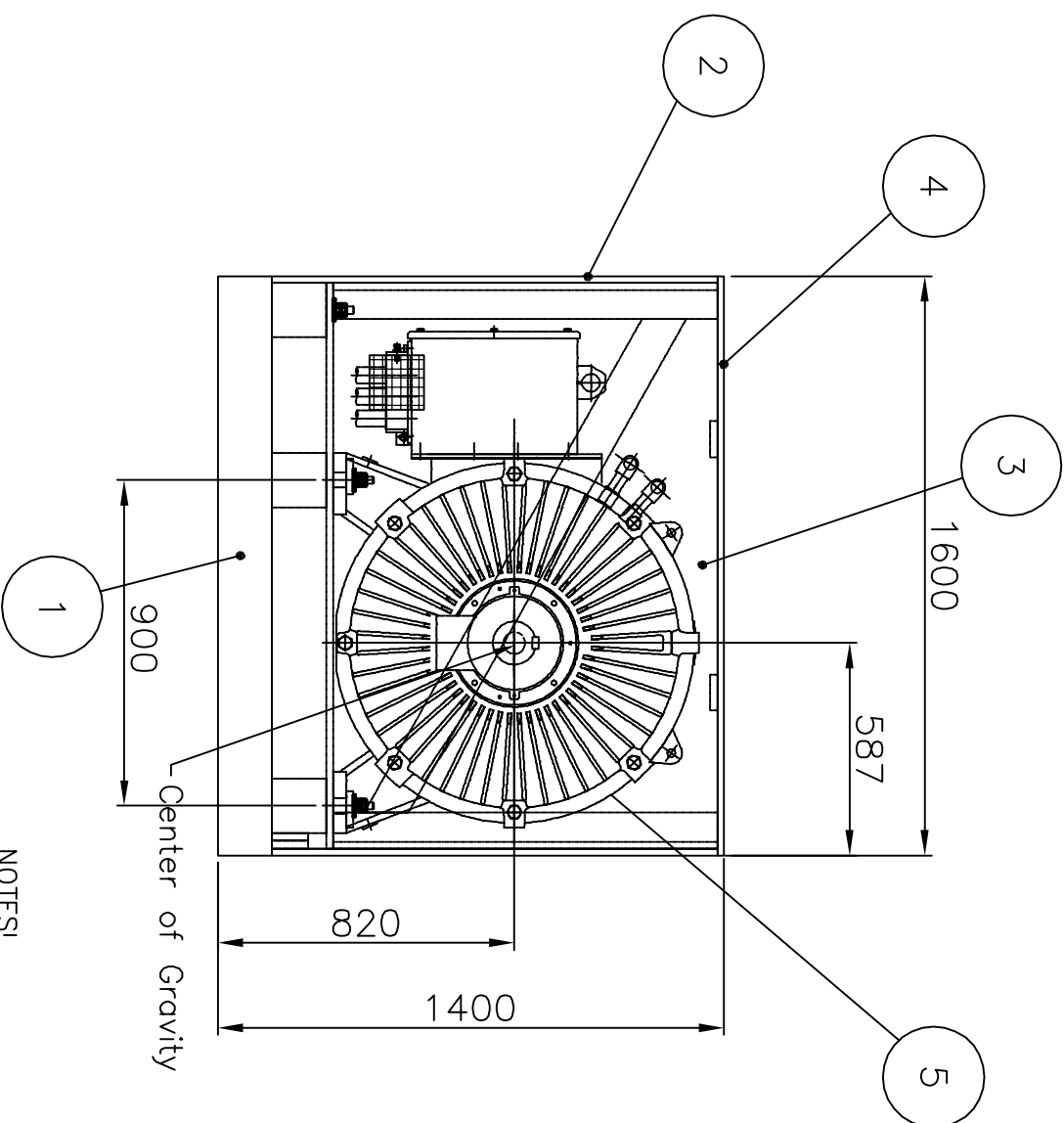
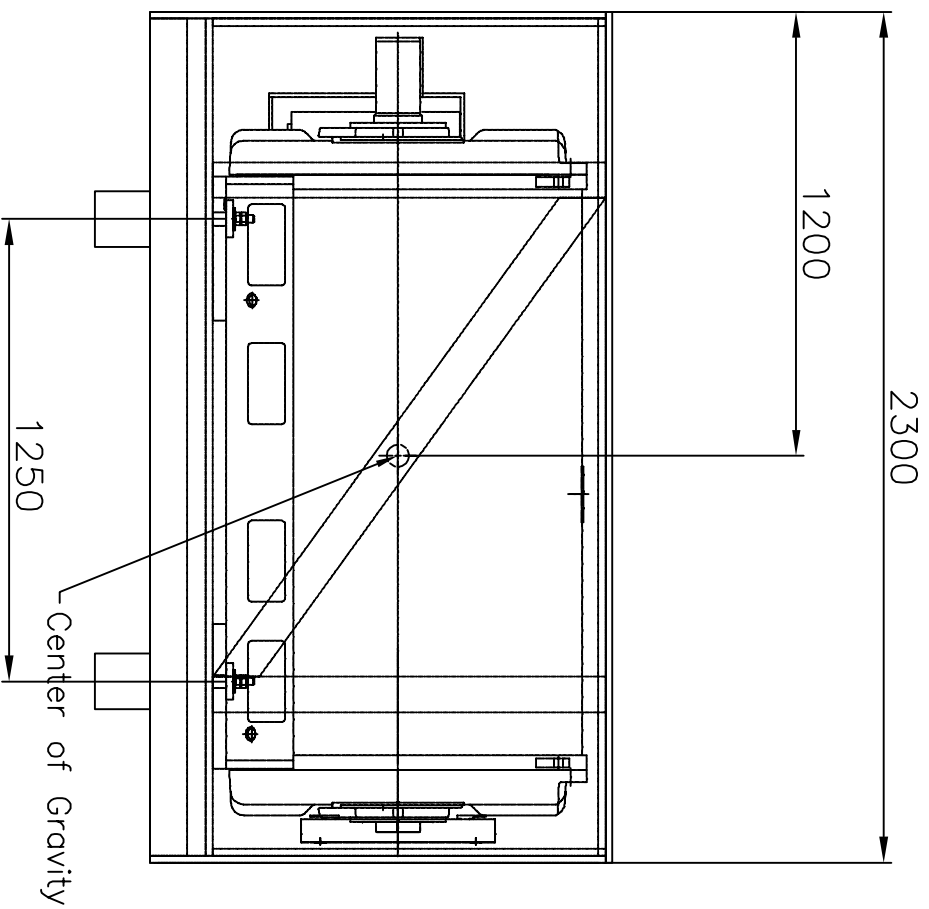


We reserve all rights in this document and in the information contained therein. Reproduction, use or disclosure to third parties without express authority is strictly forbidden.  
© ABB AS, Machines, Jüri

Symbols for roughness according to ISO 1302,  
9ADA 431

General tolerances for linear and angular dimensions and geometrical tolerances: ISO 2768 -mK  
Referential standards 9ADA 422, DIN 7168T.1



NOTES:  
\* Box Weight - 360 kg  
\* Generator Weight - 5720 kg  
\* Total Weight - 6080 kg

1. Wooden material must be heat treated to meet requirements for wooden packing materials and marked as required (EU directives). Material must be without bark and free of insects!
2. Nailing of wood in accordance with the DIN standard 1052

Item	Qty	Part number	Name	Technical data, designation	Remarks
5	1		Generator		
4	1		Roof		
3	2		End wall		
2	2		Side wall		
1	1		Slide		

Prepared	2016-04-28	K. Andreitsuk	Separate part list with separate No.	<input type="checkbox"/>	Title	Generator Transportation	Scale	1:20
Reviewed	2016-04-28		Responsible Department	DMMG/JTENG	Woodenbox			
Approved	2016-04-28		Original Dwg					
Distribution			Functional Code					
			Order No.	6080	Type	AMH 500L4/6 BAH	Mounting	A3
			Weight	6080	Document No.	1424.494.04.00A	Revision	1/1
			ABB	ABB AS, Machines, Jüri				AutoCAD

ABBASBEF

2

3

4

5

6