



0,000

0.5 A

0.04 A B

0.010

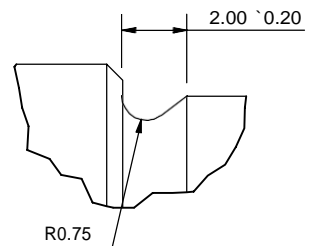
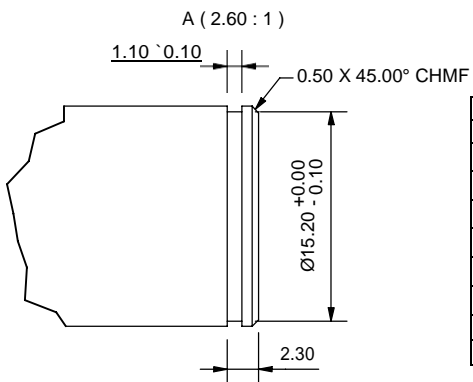
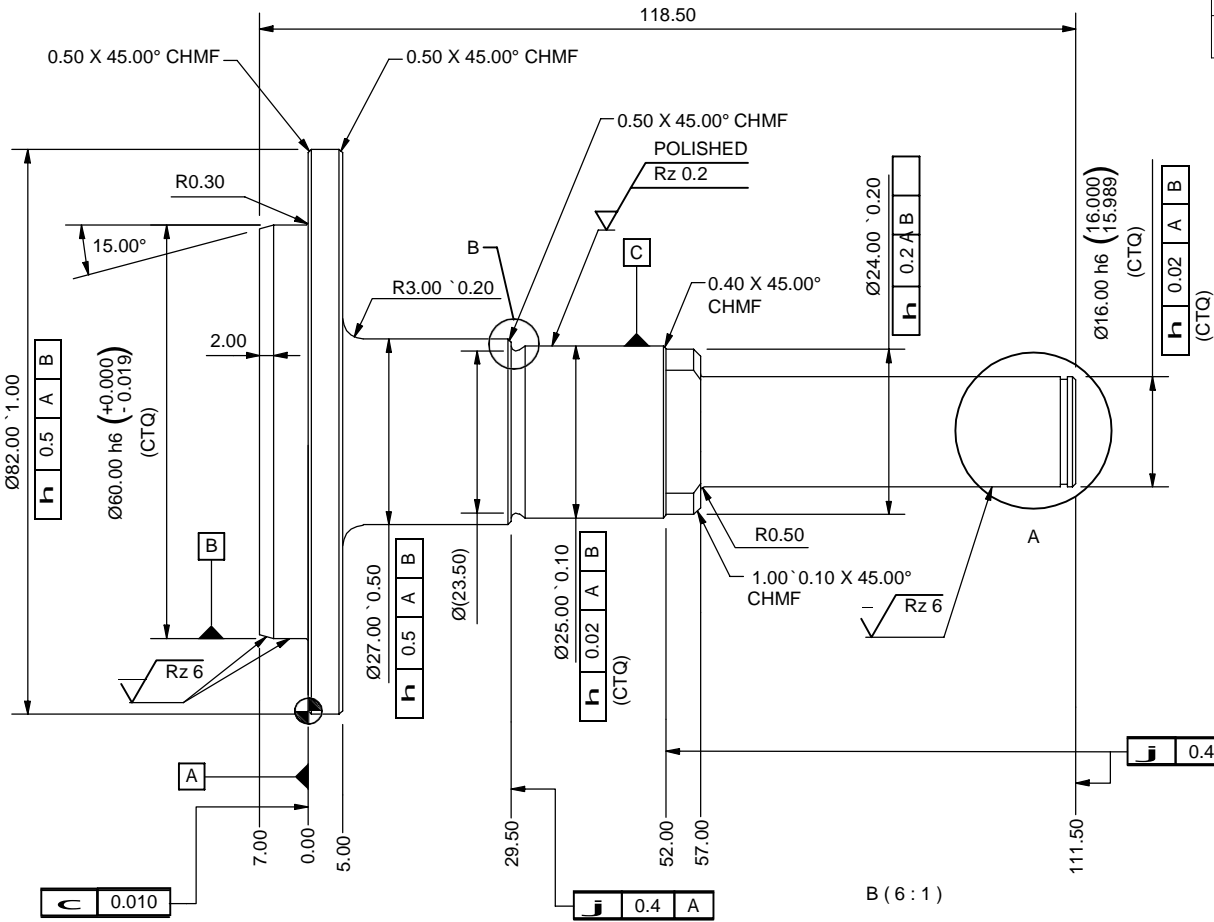
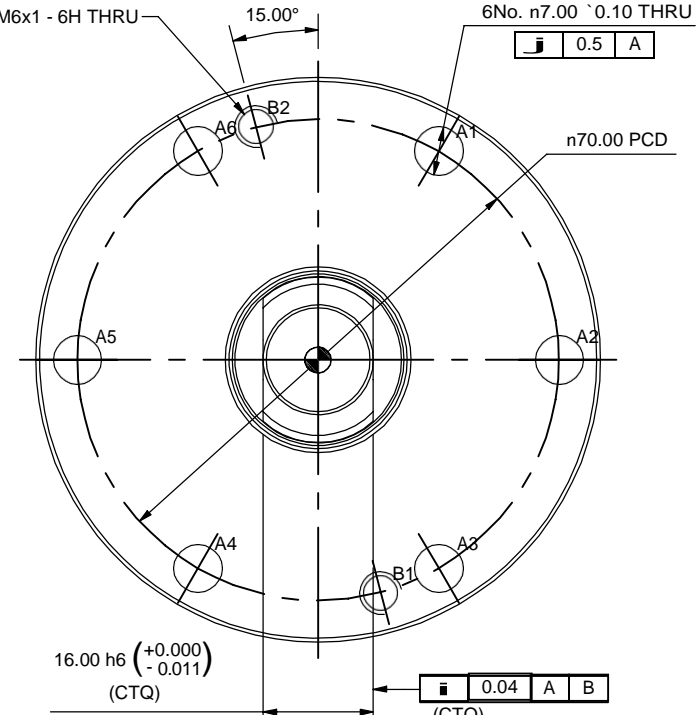
0.4 A

0.4 A

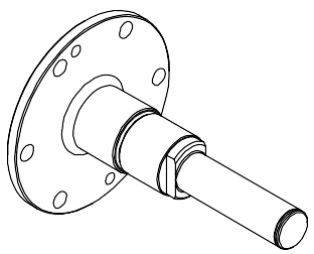
A3
NTS

D
C
B
A

D
C
B
A



HOLE TABLE			
HOLE	XDIM	YDIM	DESCRIPTION
A1	17,50 mm	30,31 mm	n7.00 THRU
A2	35,00 mm	0,00 mm	
A3	17,50 mm	-30,31 mm	
A4	-17,50 mm	-30,31 mm	
A5	-35,00 mm	0,00 mm	
A6	-17,50 mm	30,31 mm	
B1	9,06 mm	-33,81 mm	M6x1 - 6H THRU
B2	-9,06 mm	33,81 mm	



SHEET 1 OF 1

REV.	DESCRIPTION OF DRAWING CHANGE / MODIFICATION	CHANGE DATE	CHANGED BY

MATERIAL :- G-CuSn12 / EN 1705

IF IN DOUBT PLEASE CONSULT THE BGB DRAWING OFFICE		REMOVE ALL SHARP EDGES UNLESS OTHERWISE SPECIFIED	UNLESS OTHERWISE STATED GENERAL TOLERANCES APPLIED TO THIS DRAWING ARE BS EN 22768-1:1993 CLASS F & ISO 2768-1:1989 CLASS H	
CUSTOMER APPROVAL: CHECK, SIGN AND RETURN DRAWING		TITLE: GROUND CONTACT 3BRUSH TYPE 2		DATE: 12/2016
NAME:	DRAWN BY: JR		MATERIAL: Copper Alloy	
ORGANISATION:	THIS DRAWING IS THE DESIGN PROPERTY OF BGB ENGINEERING LTD AND MUST NOT BE REPRODUCED OR DISCLOSED TO A THIRD PARTY WITHOUT WRITTEN PERMISSION	SURFACE TREATMENT: MC SURFACES Ra 1.6 TO BE UNLESS STATED	DWG NO: C5723-01	REV A
DATE:	UNLESS OTHERWISE STATED THIS DRAWING CONFORMS TO BS EN 22768-1:1993 & ISO 2768-1:1989	DATE:	CUSTOMER ID:	GA NO:

RELEASED + EFFECTIVE